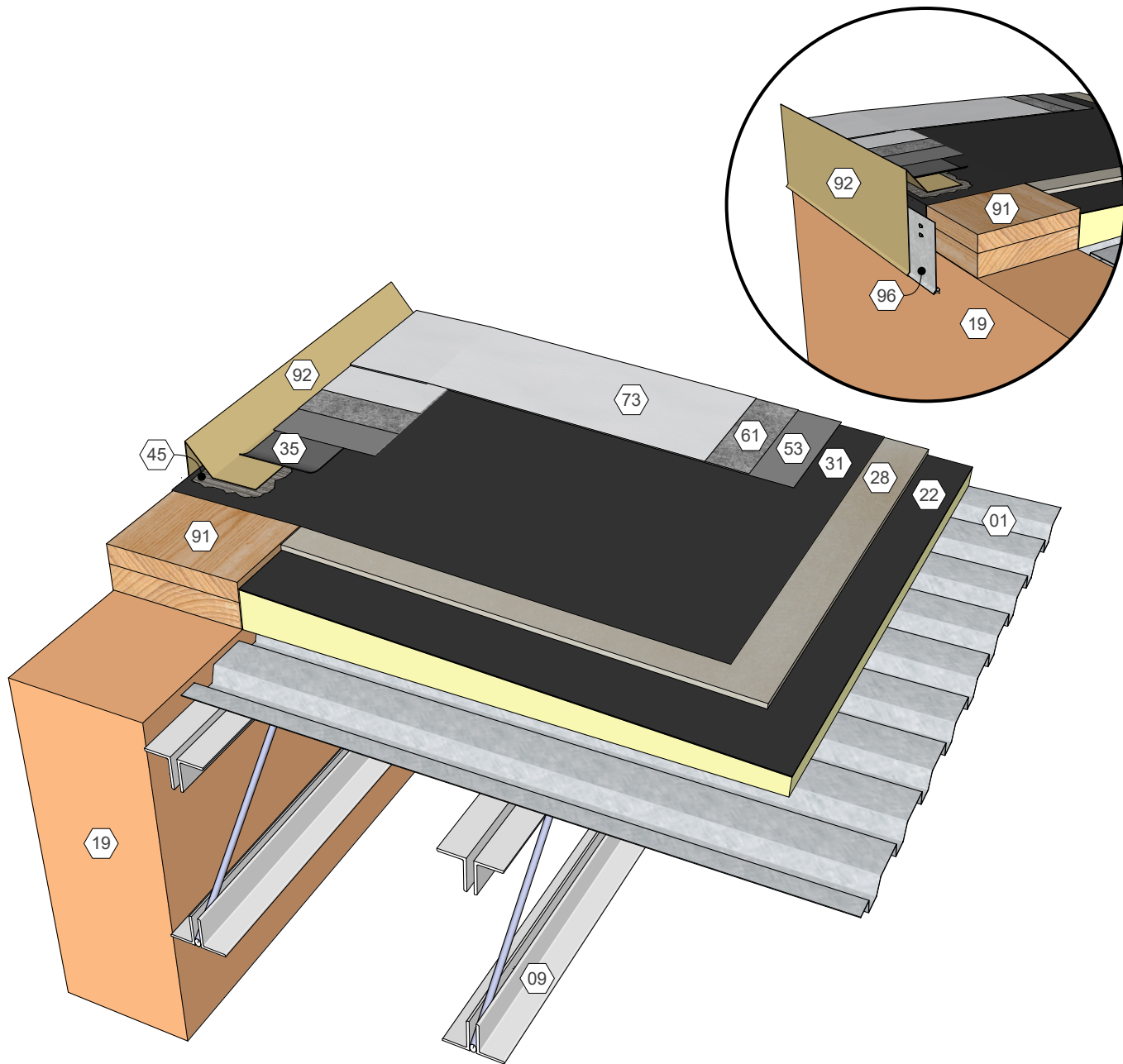


## KEY NOTES

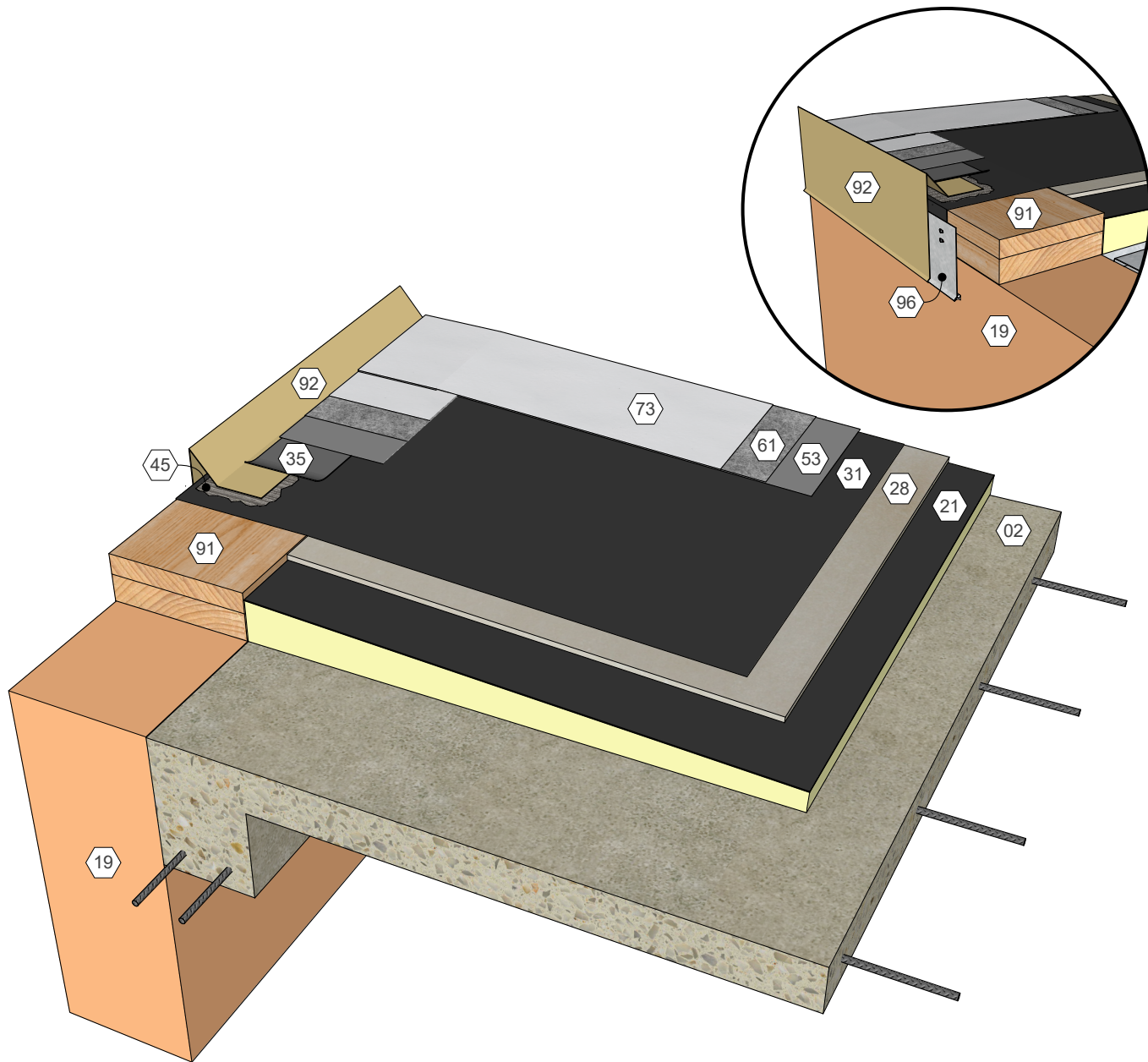
- 01 Metal Deck
- 09 Roof Structure
- 19 Wall Assembly
- 22 Polyisocyanurate Insulation (Fastened or Adhered)
- 28 Cover Board (Adhered)
- 31 Approved Base Ply Sheet
- 35 Stripping Ply
- 45 Roofing Mastic
- 53 AlphaGuard PUMA Base Coat
- 61 AlphaGuard Glass Mat or Permafab
- 73 AlphaGuard PUMA Top Coat
- 91 Wood Blocking
- 92 Gravel Stop Edge
- 96 Cont. Cleat



AlphaGuard® PUMA Plus Gravel Stop Edge Detail, Metal Deck  
Detail 24031

## KEY NOTES

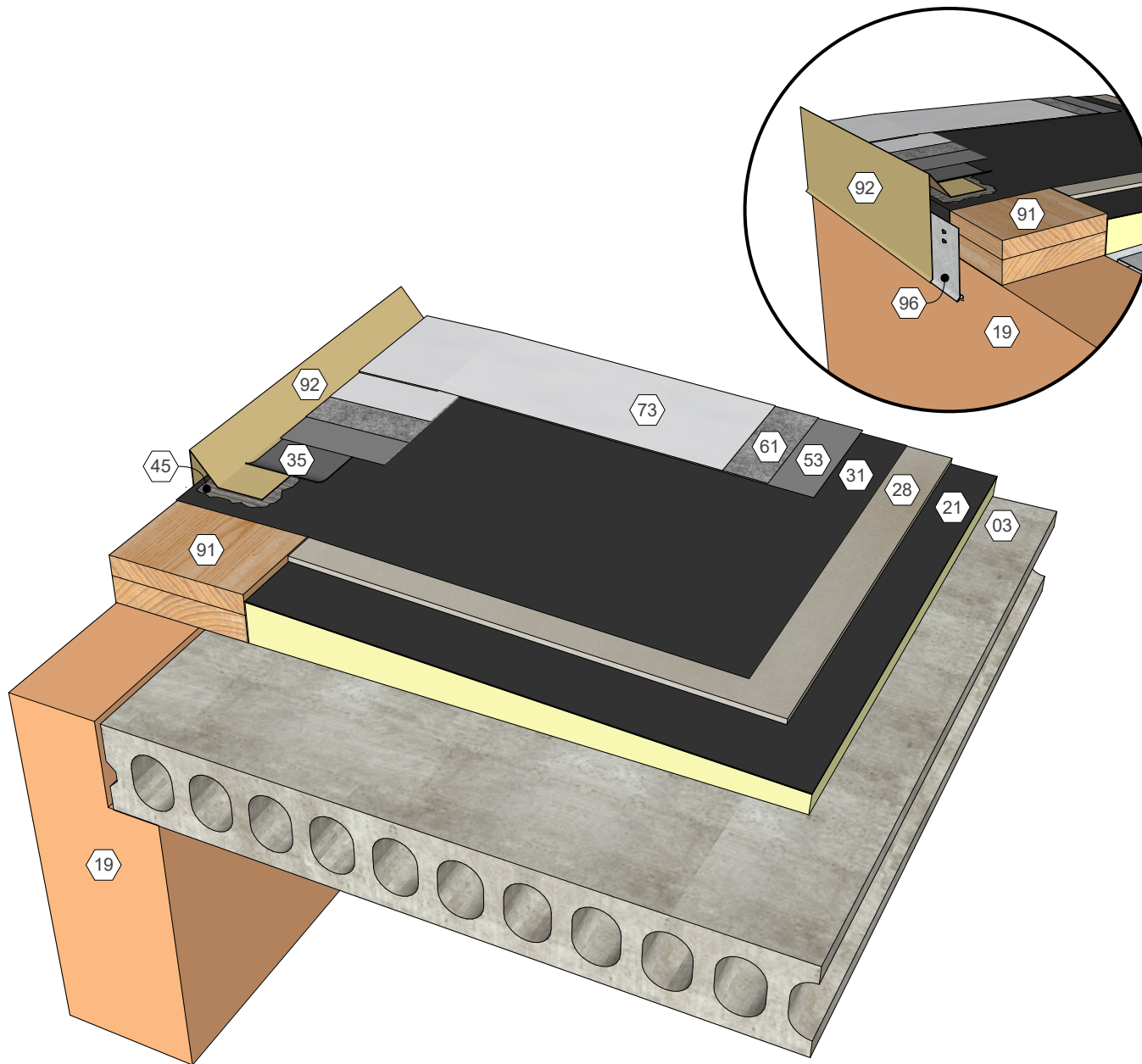
- 02 Structural Concrete Deck
- 09 Roof Structure
- 19 Wall Assembly
- 21 Polyisocyanurate Insulation (Adhered)
- 28 Cover Board (Adhered)
- 31 Approved Base Ply Sheet
- 35 Stripping Ply
- 45 Roofing Mastic
- 53 AlphaGuard PUMA Base Coat
- 61 AlphaGuard Glass Mat or Permafab
- 73 AlphaGuard PUMA Top Coat
- 91 Wood Blocking
- 92 Gravel Stop Edge
- 96 Cont. Cleat



AlphaGuard® PUMA Plus Gravel Stop Edge Detail, Structural Concrete Deck  
Detail 24032

## KEY NOTES

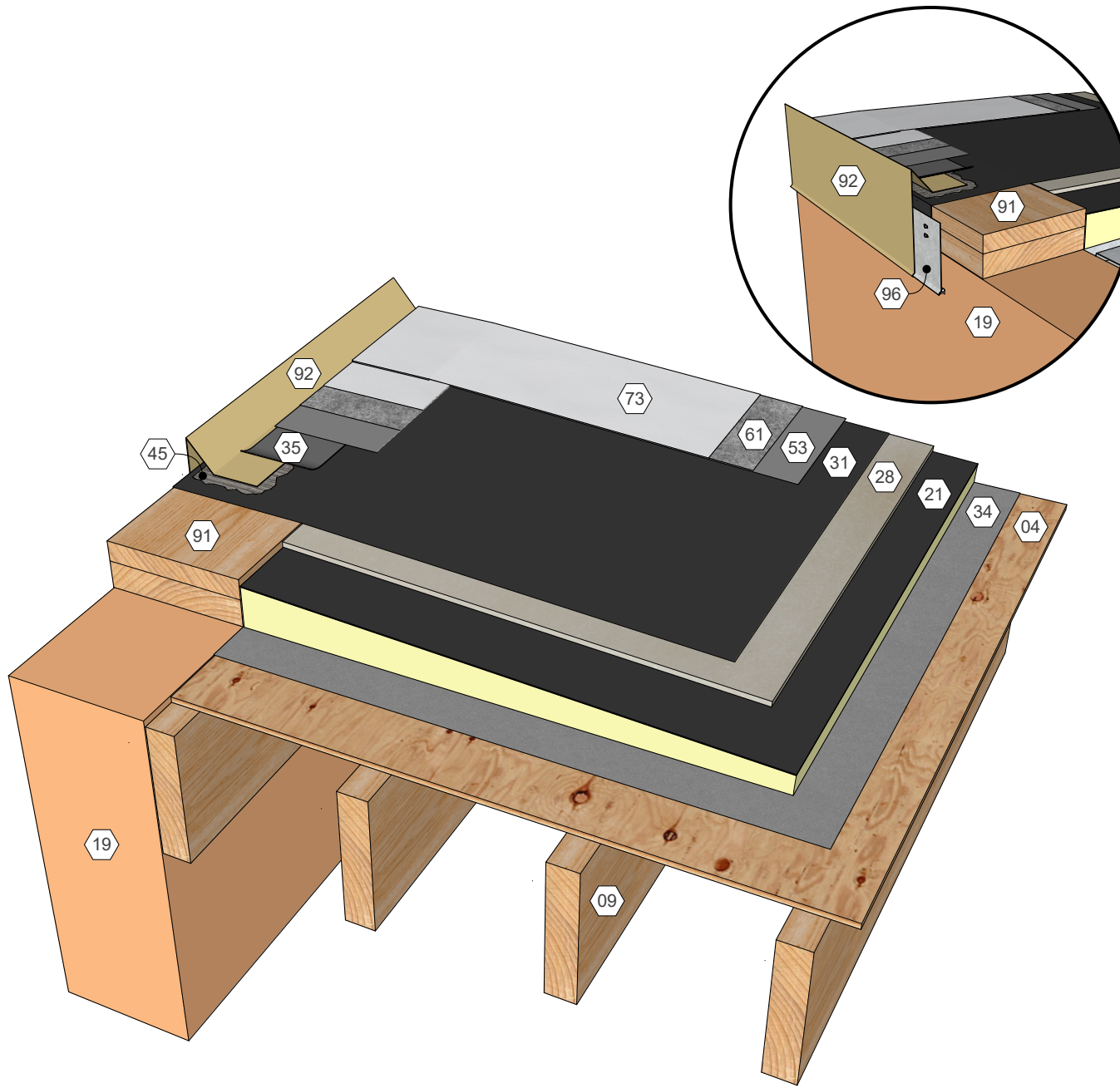
- 03 Precast Concrete Deck
- 19 Wall Assembly
- 21 Polyisocyanurate Insulation (Adhered)
- 28 Cover Board (Adhered)
- 31 Approved Base Ply Sheet
- 35 Stripping Ply
- 45 Roofing Mastic
- 53 AlphaGuard PUMA Base Coat
- 61 AlphaGuard Glass Mat or Permafab
- 73 AlphaGuard PUMA Top Coat
- 91 Wood Blocking
- 92 Gravel Stop Edge
- 96 Cont. Cleat



AlphaGuard® PUMA Plus Gravel Stop Edge Detail, Precast Concrete Deck  
Detail 24033

## KEY NOTES

- 04 Wood Deck
- 09 Roof Structure
- 19 Wall Assembly
- 21 Polyisocyanurate Insulation (Adhered)
- 28 Cover Board (Adhered)
- 31 Approved Base Ply Sheet
- 34 Base Sheet (Fastened)
- 35 Stripping Ply
- 45 Roofing Mastic
- 53 AlphaGuard PUMA Base Coat
- 61 AlphaGuard Glass Mat or Permafab
- 73 AlphaGuard PUMA Top Coat
- 91 Wood Blocking
- 92 Gravel Stop Edge
- 96 Cont. Cleat

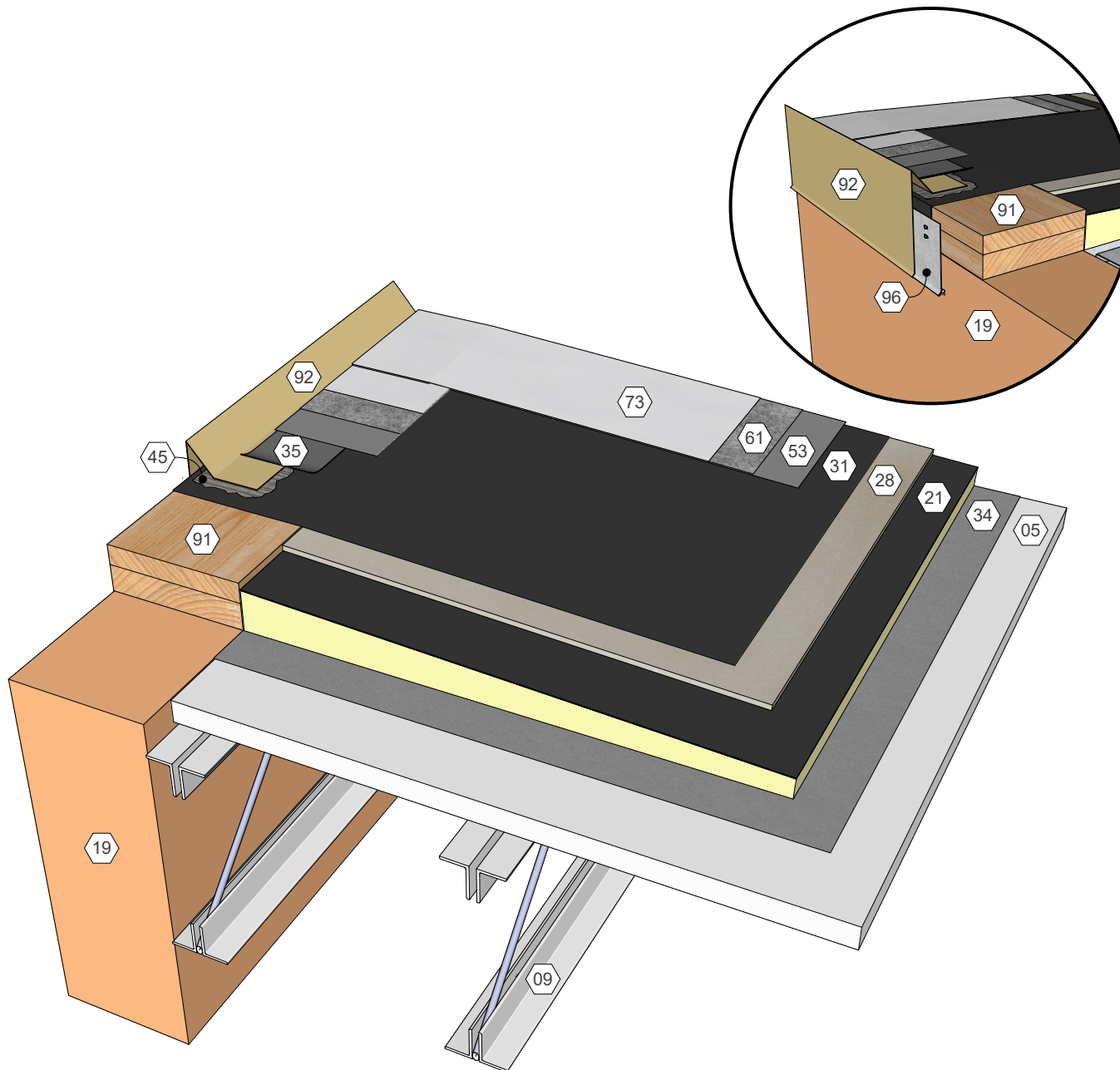


AlphaGuard® PUMA Plus Gravel Stop Edge Detail, Wood Deck  
Detail 24034



## KEY NOTES

- 05 Gypsum Deck
- 09 Roof Structure
- 19 Wall Assembly
- 21 Polyisocyanurate Insulation (Adhered)
- 28 Cover Board (Adhered)
- 31 Approved Base Ply Sheet
- 34 Base Sheet (Fastened)
- 35 Stripping Ply
- 45 Roofing Mastic
- 53 AlphaGuard PUMA Base Coat
- 61 AlphaGuard Glass Mat or Permafab
- 73 AlphaGuard PUMA Top Coat
- 91 Wood Blocking
- 92 Gravel Stop Edge
- 96 Cont. Cleat



AlphaGuard® PUMA Plus Gravel Stop Edge Detail, Gypsum Deck  
Detail 24035